



TUSCAN SERIES



ACADIAN  
IRON WORKS

TUSCAN SERIES

# ABOUT ACADIAN STEEL WINDOWS & DOORS

## WHY BUY FROM US?

The people at ACADIAN STEEL WINDOWS & DOORS excel in quality, efficiency and over-all customer satisfaction. Regardless of whether the project is large or small, we can provide you with top-of-line steel door, steel railing or steel gate solutions for your home or business.

## CUSTOM MADE PROJECTS

- We transform ideas into reality with our custom door projects. Design your own scroll work or choose from our gallery of door designs.
- CAD drawings are created to ensure that the right design, size and configuration meets your needs.
- Any of our designs can be made as either single or double doors. They can also be made with matching transoms and sidelights. Wine cellar doors, entry gates and fencing are also available.
- Doors may be ordered to swing in or swing out.

## WHAT MAKES OUR STEEL DOORS SO SUPERIOR?

The Manufacturing Facilities we use to produce all of our steel Doors must make them according to our strict specifications. We insure that all of our products meet OUR SUPERIOR STANDARDS before ever reaching the consumer. We use only the best materials and construction techniques - we don't take shortcuts.

- Our steel doors are crafted with 12 gauge steel. An average 6' x 8' Acadian Steel door can weigh over 1000lbs. That's because they are also 2" thick - thickest on the market.
- No cracking or warping.
- steel doors boast a lifetime use.

## WITH SUCH AN EMPHASIS ON QUALITY, HOW DO WE STAY COMPETITIVE ON PRICE?

- We have long term partnerships that result in favorable pricing while maintaining the highest quality products.
- We have re-tooled the manufacturing process to exceed U.S. and European standards.
- We ship directly, from our distribution center in Monroe, LA, to your warehouse.
- We take advantage of favorable tariff agreements.
- We price and ship doors with glass installed, threshold welded to frame and the door professionally crated.

## NO ADDITIONAL COSTS

Most iron door companies do not provide glass. It must be purchased separately, therefore creating an increase in overall cost. This additionally involves a second contractor to install the glass, further driving up the cost and adding hassle for the buyer. We price and ship doors with glass installed, and the threshold welded to frame. The doors are also professionally packaged and crated to ensure they arrive safely to your job site.

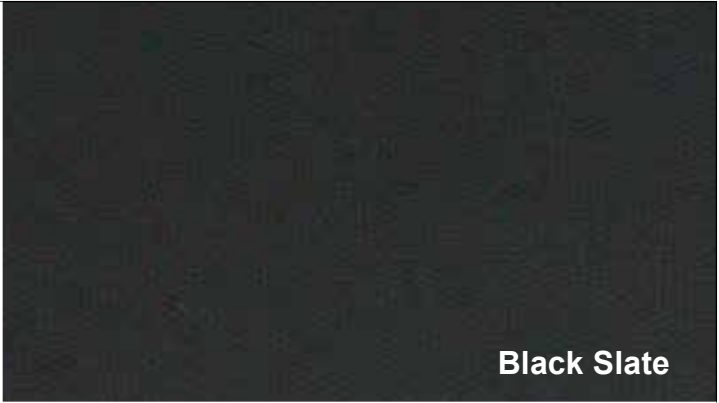
# TUSCAN FEATURES

## Modern Look of Steel

At Acadian Steel Windows & Doors, our Tuscan series of windows and doors gives your home a look of windows built in the 1920's architectural style.

- 1.5 inch wide stile and rail
- Foam-filled jamb, stile, and rail
- Low -E tempered glass
- Putty glazing bead
- True divided light
- Sloped steel threshold
- Kerfed sweeps and weather strip
- Heavy-duty welded steel hinges
- Prepped for door and window hardware
- Thermally broken is optional
- Available in 4 finishes
- Available in multiple shapes and sizes


## AVAILABLE FINISHES

A solid black rectangular swatch representing the Black Slate finish.

Black Slate

A solid dark brown rectangular swatch representing the Oil-Rubbed Bronze finish.

Oil-Rubbed Bronze

A rectangular swatch with a fine, grainy texture in a dark grey-blue color representing the Nickel finish.

Nickel

# TUSCAN DOORS

# STOCK DOORS



# TUSCAN DOORS

**AVAILABLE IN:**

62 x 96

72 x 96

66 x 108

# STOCK DOORS



# TUSCAN DOORS

**AVAILABLE IN:**  
38 x 96

# STOCK DOORS



# TUSCAN DOORS

**AVAILABLE IN:**

62 x 96

72 x 96

STOCK DOORS





# TUSCAN DOORS

**AVAILABLE IN:**  
38 x 96

# STOCK DOORS



# TUSCAN DOORS

**AVAILABLE IN:**

62 x 96

72 x 96

STOCK DOORS



# TUSCAN DOORS

**AVAILABLE IN:**  
38 x 96

# STOCK DOORS



# ABOUT OUR DOORS

## **Hinges**

All doors utilize friction spacer hinges for easy opening.

## **Flush Bolts**

Flush bolts are used on double door units. The flush bolt is the mechanism that locks the inactive side of the double door unit. The head bolt locks into the top of the door frame and the foot bolt locks into the threshold/floor.

## **Insulation**

Each door comes insulated with high quality foam insulation that is pumped into the jamb and stile of the door sheet and frame. The door is then weather-proofed using Kerf weather stripping and door sweep.

## **Low-E Glass**

The doors are equipped with interior glass panels that open independently from the door. This feature allows for ventilation, cleaning and security by keeping the door closed and locked between the homeowner and the outside. The doors come equipped with 5/8" insulated, low-E glass. All glass is tempered to ensure safety. We offer a wide selection of obscured glass.

## **Configurations**

Any of our designs can be made as either a single or double door. They can also be created with matching transoms or sidelights. Wine cellar doors are also available in a variety of styles. Doors may be ordered to swing in or swing out. Our in-stock doors are all in-swing with a standard 6" jamb. Arches are available in full (half circle), eyebrow as well as rectangular.

## **Easy Installation**

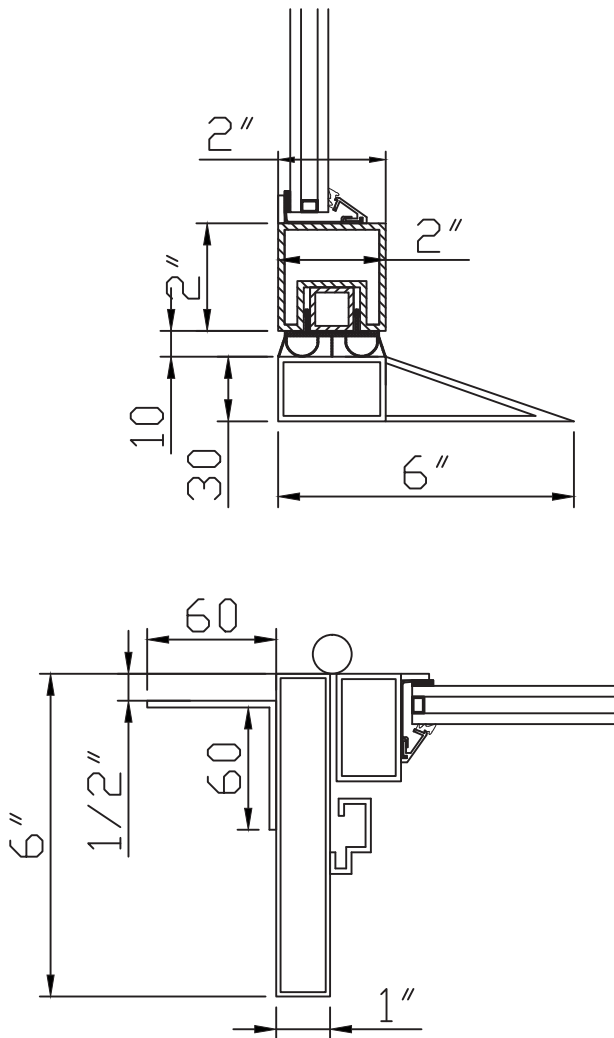
The doors come on a pre-hung steel frame. The steel frame supports the weight of the doors and allows for easy installation. The frame is pre-drilled with holes for easy install using lag bolts/anchors for concrete walls. The doors are drilled for double bores and set up for 2 3/4" backset and 2" wide door slab.

# ABOUT OUR DOORS

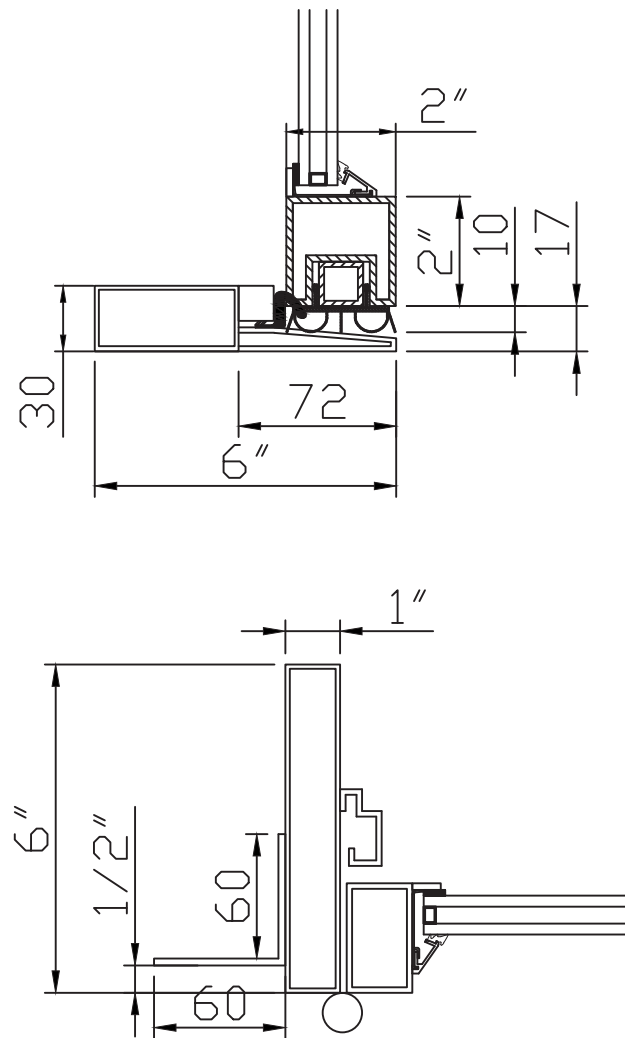
## Non Thermal Windows & Doors

Non Thermal windows and doors combine design flexibility and high performance.

### Non-Thermal Inswing



### Non-Thermal Outswing



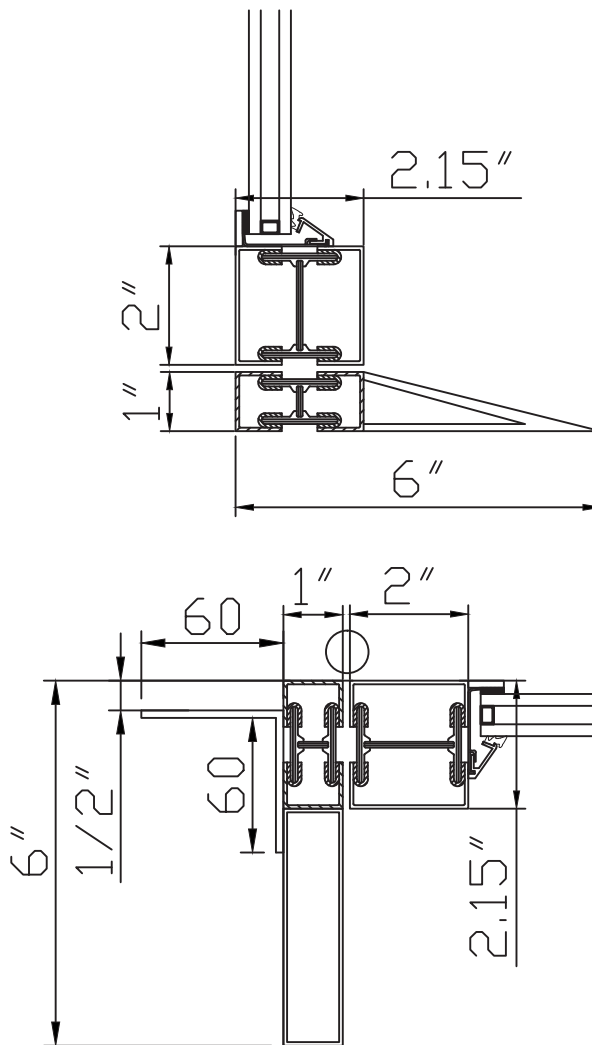
# ABOUT OUR DOORS

## Thermal Windows & Doors

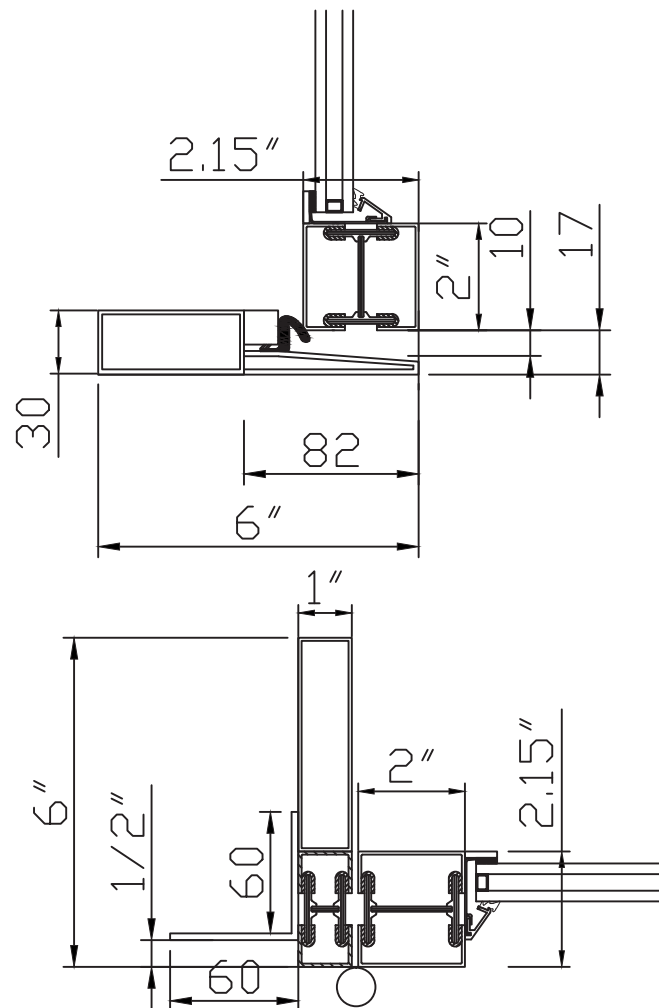
Thermal windows and doors having high-performance thermal-break frame design and higher thermal rating means greater energy efficiency.

We use a polymer core to create a superior thermal barrier that will allow you to achieve better thermal performance.

### Thermal Inswing



### Thermal Outswing



# PRODUCT DETAILS





## TUSCAN SERIES

2805 ST. CHARLES AVENUE MONROE, LOUISIANA USA 7120

TOLL FREE: 855-476-6957

[WWW.ACADIANSTEELWINDOWS.COM](http://WWW.ACADIANSTEELWINDOWS.COM)

FOLLOW US!

